

A

B

C

D

E

F

1

2

3

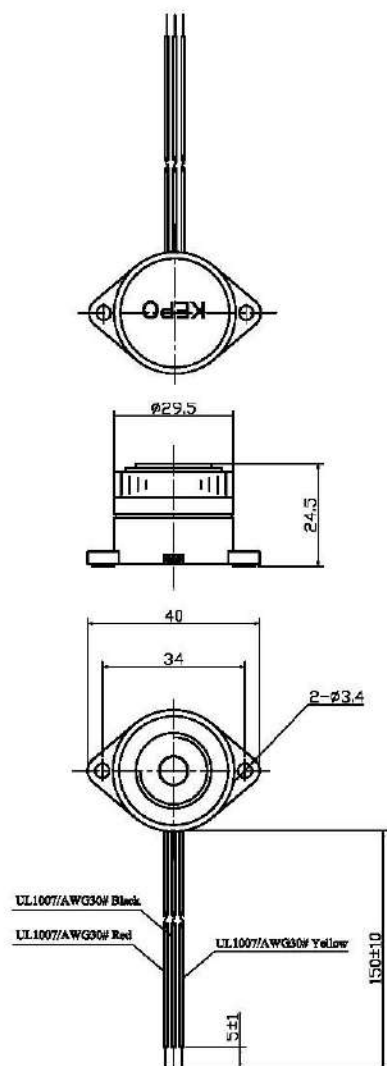
4

5

6

7

8



SPECIFICATION

1. Rated Voltage12VDC
 2. Operating Voltage3~24VDC
 3. Max. Rated Current15mA at 12VDC
 4. Resonant Frequency3.7±0.5KHz
 5. Min. Sound Pressure Level.....90(85)dB at 12VDC/30cm
 6. Tone NatureContinuous+Fast Pulse
 7. Case MaterialABS
 8. Operating Temperature-20 ~ +60℃
 9. Store Temperature-30 ~ +70℃
 10. Weight17g
- Red(红).....Positive(+)
 Black(黑).....Continuous(-)
 Yellow(黄).....Fast Pulse(-)

Compliance with ROHS

KEPO NINGBO KEPO ELECTRONIC CO.,LTD
<http://www.chinaacoustic.com>

No.	DESCRIPTION	APPROVED	DATE
TOLERANCES UNLESS NOTED OTHERWISE		APPROVALS	
X ±		DRAWN	
XXX ±		CHECKED	
90° FORMED ±°		APPROVED	
FIRST ANGLE PERSPECTION		DATE	
		水成峰 梁树棠 09.03.25	
UNIT		DWG NO.	
mm		OEM3792R	
SCALE		SHEET	
NOT TO SCALE		VER 1.0	

Piezo Buzzer
 KPI-G2914L-K3792

1

2

3

4

5

6

7

8